

Figure 1: S^{*x}

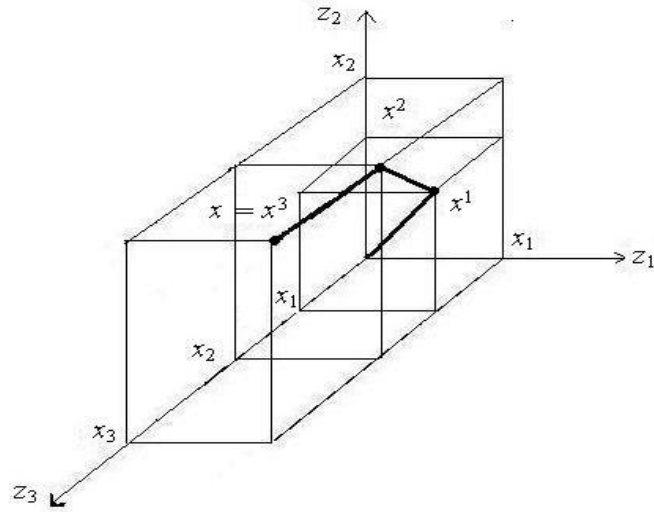


Figure 2: $C(z)$ for $z_3 = \lambda e_3^+ + (1 - \lambda)e_3^-$

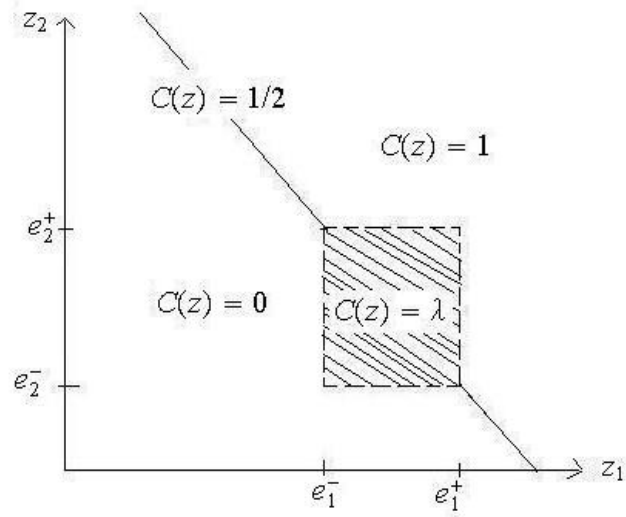


Figure 3: h

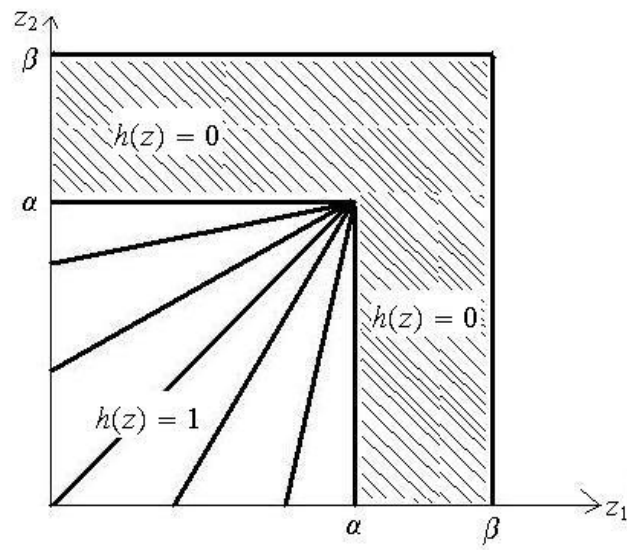


Figure 5: D_3^{12}

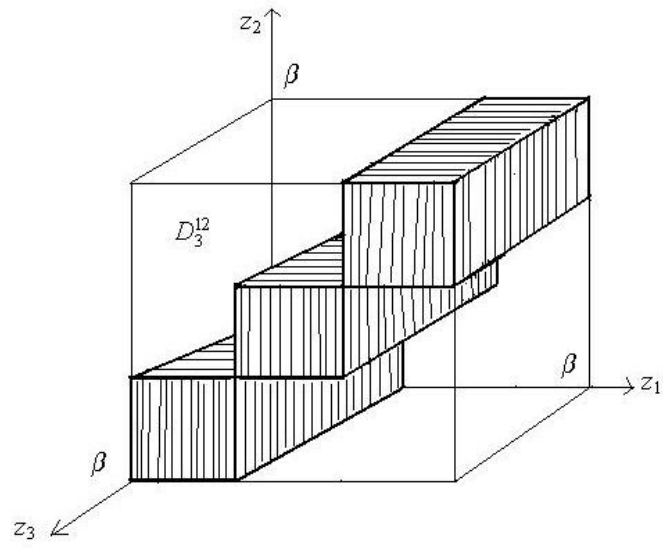


Figure 6: $E_{3+}(\alpha)$, $E_{3-}(\alpha)$

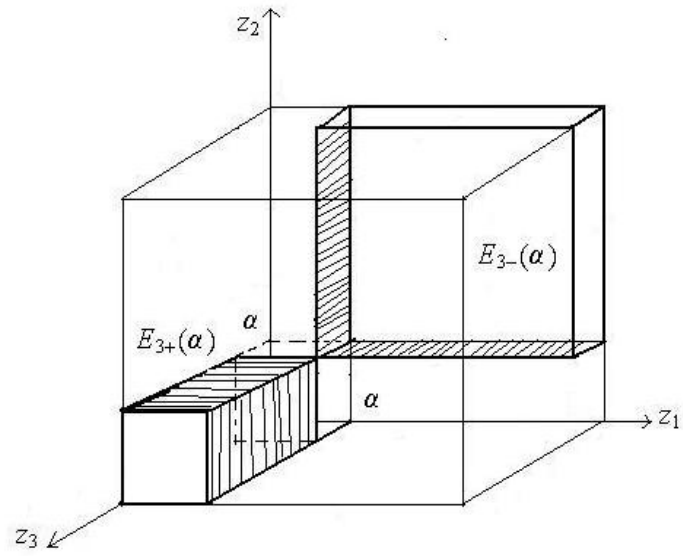


Figure 7: $D_+^{(1,2)}$

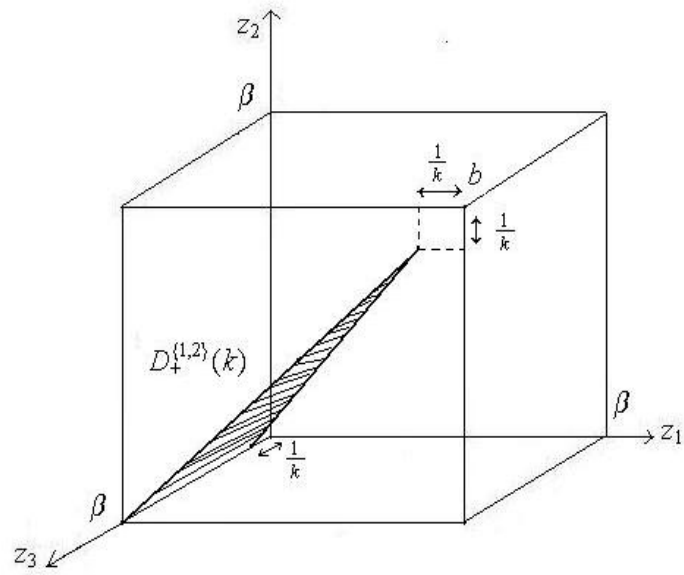


Figure 8: C^m

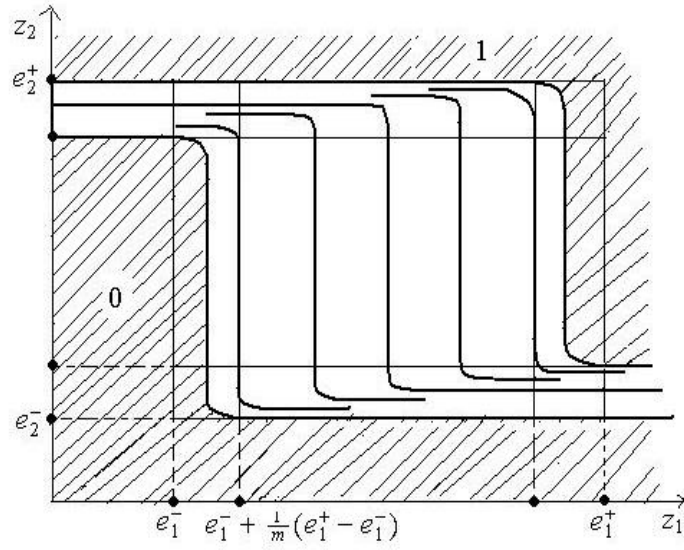


Figure 9: A convex combination of two fixed-path methods violates group demand monotonicity

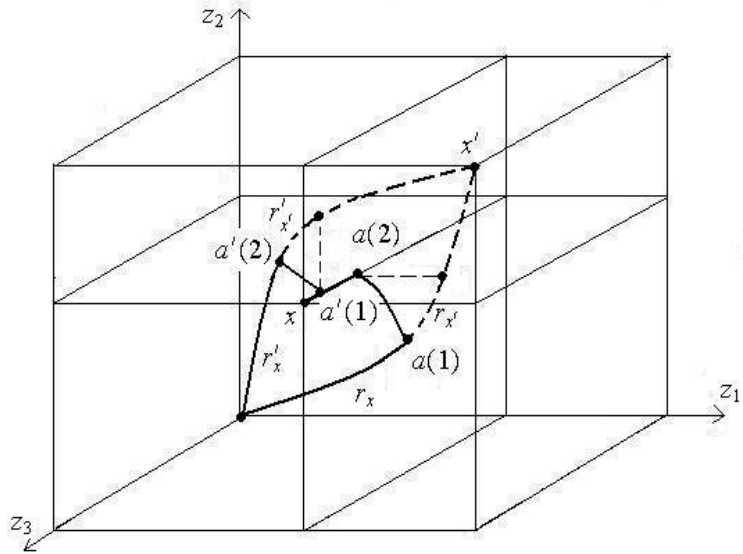


Figure 10: $E_{\{1,2\}}^m(\frac{1}{4})$, $E_{\{1,2\}}^m(\frac{3}{4})$

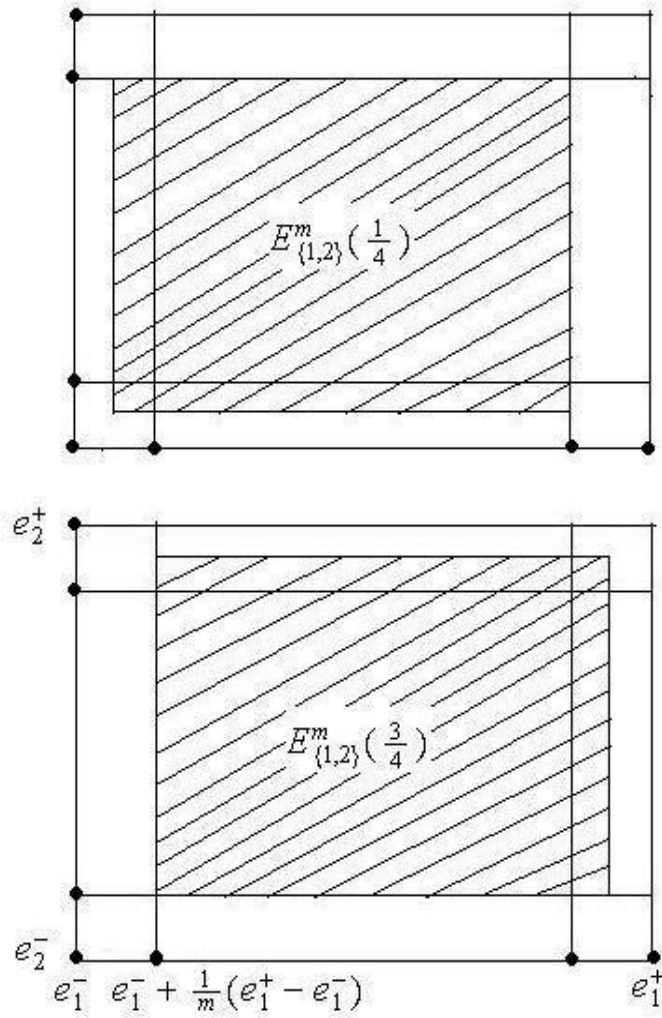


Figure 11: $C_0^m(\dots, \frac{3}{4})$, $C_1^m(\dots, \frac{1}{2})$

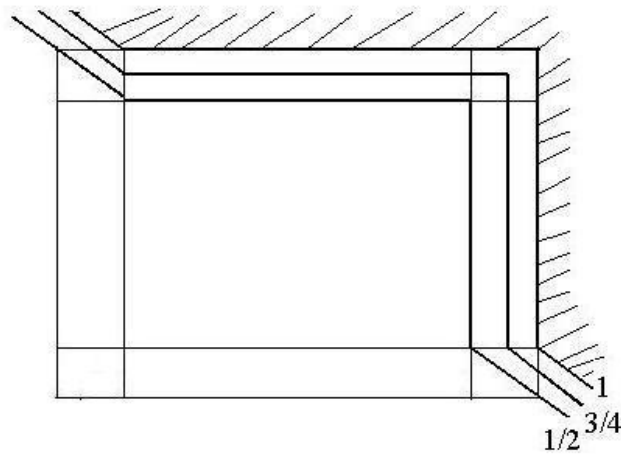
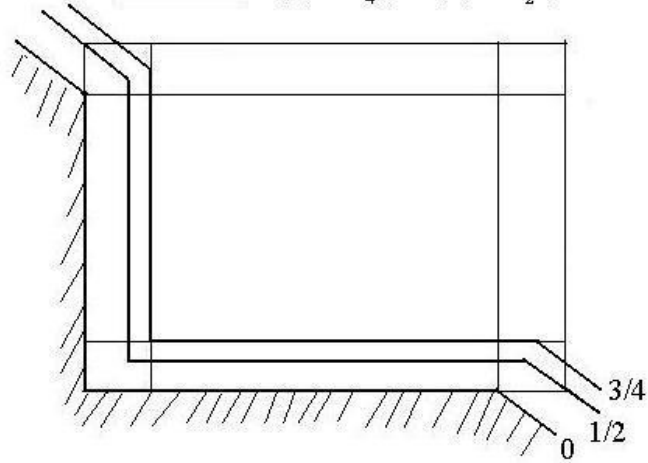


Figure 12: $C^m(\dots, \frac{3}{4}e_3^+ + \frac{1}{4}e_3^-, z_4, \dots, z_n)$

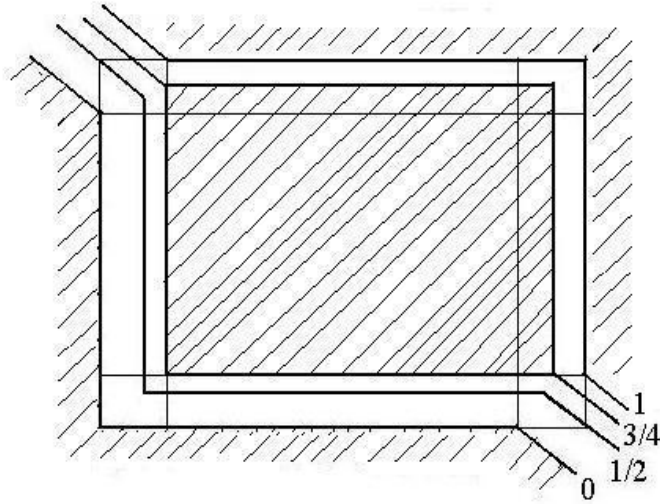


Figure 13: $\tilde{C}^m (\dots, \frac{3}{4}e_3^+ + \frac{1}{4}e_3^-, z_4, \dots, z_n)$

